



**SLANT BASE METRIC SOCKET LEVELERS**

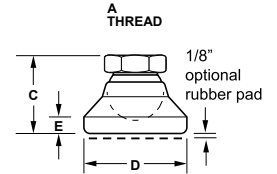
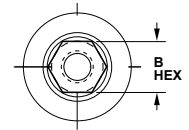
The IEC *Slant Base Metric Socket Leveler* is ideal for heavy-duty loads where a stud is not required. Integrated ball and swivel socket provides a low-friction support interface. Ideal for cabinets, instruments, machinery and equipment.

**Features**

- Solid steel/stainless steel
- Integrated ball and socket
- Adjustable height
- Base adjusts 15° off centerline
- Standard gold irridite zinc finish
- Black chromate or clear chromate options
- Rubber pad or non-marring delrin base

**Applications**

- Equipment benches
- Machinery
- Instruments
- Enclosures



white base is delrin® plastic.

**METRIC STEEL & STAINLESS STEEL**

Steel	SS	Load	A	B	C	D	E
IL1-M6G	IL5-M6	1400	M6x1	1/2	45/64	1	5/32
IL1-M10G	IL5-M10	3000	M10x1.50	5/8	7/8	1-1/4	3/16
IL1-M12G	IL5-M12	5500	M12x1.75	3/4	1-1/8	1-7/8	1/4
IL1-M16G	IL5-M16	6000	M16x2.00	7/8	1-1/4	2-1/2	5/16
IL1-M20G	IL5-M20	8000	M20x2.50	1-1/16	1-1/2	3	1/2
IL1-M24G	IL5-M24	20000	M24x3.00	1-1/2	1-7/8	4	13/32

**METRIC STEEL & STAINLESS STEEL WITH RUBBER PAD**

Steel	SS	Load	A	B	C	D	E
IL1-M6G-P	IL5-M6-P	1050	M6x1	1/2	53/64	1	5/32
IL1-M10G-P	IL5-M10-P	2250	M10x1.50	5/8	1	1-1/4	3/16
IL1-M12G-P	IL5-M12-P	3750	M12x1.75	3/4	1-1/4	1-7/8	1/4
IL1-M16G-P	IL5-M16-P	4500	M16x2.00	7/8	1-3/8	2-1/2	5/16
IL1-M20G-P	IL5-M20-P	6000	M20x2.50	1-1/16	1-5/8	3	1/2
IL1-M24G-P	IL5-M24-P	15000	M24x3.00	1-1/2	2	4	13/32

**DELTRIN BASE - METRIC STEEL & STAINLESS STEEL**

Steel	SS	Load	A	B	C	D	E
IL3-M6W	IL3-M6S	200	M6x1	1/2	45/64	1	5/32
IL3-M10W	IL3-M10S	300	M10x1.50	5/8	7/8	1-1/4	3/16
IL3-M12W	IL3-M12S	700	M12x1.75	3/4	1-1/8	1-7/8	1/4
IL3-M16W	IL3-M16S	1200	M16x2.00	7/8	1-1/4	2-1/2	5/16
IL3-M20W	IL3-M20S	1800	M20x2.50	1-1/16	1-1/2	3	1/2
IL3-M24W	IL3-M24S	2400	M24x3.00	1-1/2	1-7/8	4	13/32

The Delrin® base is white.



**HEAVY DUTY METRIC  
 SLANT BASE STUD**

**SLANT BASE METRIC STUD LEVELERS**

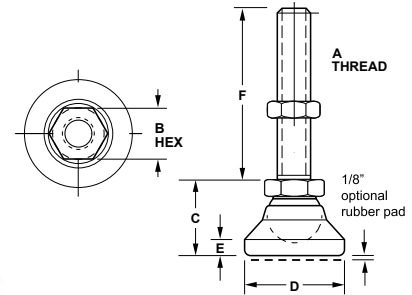
The IEC *Metric Slant Base Stud Leveler* is ideal for heavy-duty loads. Integrated ball and swivel socket provides a low-friction support interface. Ideal for cabinets, instruments, machinery and equipment.

**Features**

- Solid steel/stainless steel
- Integrated ball and socket
- Adjustable height
- Base adjusts 15° off centerline
- Standard gold irridite zinc finish
- Black chromate or clear chromate options
- Rubber pad or non-marring delrin base

**Applications**

- Equipment benches
- Machinery
- Instruments
- Enclosures



white base is delrin® plastic.

**METRIC - STEEL & STAINLESS STEEL**

Steel	SS	Load	A	B	C	D	E	F
IL2-M6G	IL6-M6	1400	M6x1	1/2	45/64	1	5/32	1-1/4
IL2-M10G	IL6-M10	3000	M10x1.50	5/8	7/8	1-1/4	3/16	2
IL2-M12G	IL6-M12	5500	M12x1.75	3/4	1-1/8	1-7/8	1/4	2
IL2-M16G	IL6-M16	6000	M16x2.00	7/8	1-1/4	2-1/2	5/16	2
IL2-M20G	IL6-M20	8000	M20x2.50	1-1/16	1-1/2	3	1/2	2
IL2-M24G	IL6-M24	20000	M24x3.00	1-1/2	1-7/8	4	13/32	4-1/4

**METRIC - STEEL & STAINLESS STEEL WITH RUBBER PAD**

Steel	SS	Load	A	B	C	D	E	F
IL2-M6G-P	IL6-M6-P	1050	M6x1	1/2	53/64	1	5/32	1-1/4
IL2-M10G-P	IL6-M10-P	2250	M10x1.50	5/8	1	1-1/4	3/16	2
IL2-M12G-P	IL6-M12-P	3750	M12x1.75	3/4	1-1/4	1-7/8	1/4	2
IL2-M16G-P	IL6-M16-P	4500	M16x2.00	7/8	1-3/8	2-1/2	5/16	2
IL2-M20G-P	IL6-M20-P	6000	M20x2.50	1-1/16	1-5/8	3	1/2	2
IL2-M24G-P	IL6-M24-P	15000	M24x3.00	1-1/2	2	4	13/32	4-1/4

**METRIC DELRIN BASE - STEEL & STAINLESS STEEL**

Steel	SS	Load	A	B	C	D	E	F
IL4-M6W	IL4-M6S	200	M6x1	1/2	45/64	1	5/32	1-1/4
IL4-M10W	IL4-M10S	300	M10x1.50	5/8	7/8	1-1/4	3/16	2
IL4-M12W	IL4-M12S	700	M12x1.75	3/4	1-1/8	1-7/8	1/4	2
IL4-M16W	IL4-M16S	1200	M16x2.00	7/8	1-1/4	2-1/2	5/16	2
IL4-M20W	IL4-M20S	1800	M20x2.50	1-1/16	1-1/2	3	1/2	2
IL4-M24W	IL4-M24S	2400	M24x3.00	1-1/2	1-7/8	4	13/32	4-1/4

The Delrin® base is white.



**HEAVY DUTY METRIC**  
**EXTENDED STUD**

**SLANT BASE METRIC EXTENDED STUD LEVELERS**

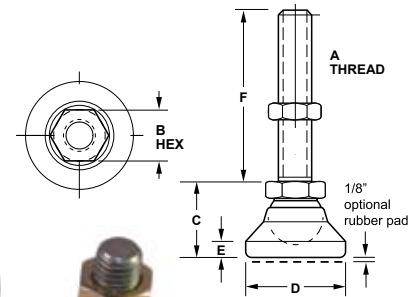
The IEC Metric Slant Base Extended Stud Leveler is ideal for heavy-duty loads. Integrated ball and swivel socket provide a low-friction support interface. Ideal for cabinets, instruments, machinery and equipment.

**Features**

- Solid steel/stainless steel
- Integrated ball and socket
- Adjustable height
- Base adjusts 15° off centerline
- Standard gold irridite zinc finish
- Black chromate or clear chromate options
- Rubber pad or non-marring delrin base

**Applications**

- Equipment benches
- Machinery
- Instruments
- Enclosures



white base is delrin® plastic.

**EXTENDED STUD LENGTHS - METRIC STEEL & STAINLESS STEEL**

Steel	SS	Load	A	B	C	D	E	F
IL2-M6Gx2	IL6-M6x2	1400	M6x1	1/2	45/64	1	5/32	2-1/2
IL2-M10Gx4	IL6-M10x4	3000	M10x1.50	5/8	7/8	1-1/4	3/16	4
IL2-M12Gx4	IL6-M12x4	5500	M12x1.75	3/4	1-1/8	1-7/8	1/4	4
IL2-M16Gx4	IL6-M16x4	6000	M16x2.00	7/8	1-1/4	2-1/2	5/16	4
IL2-M20Gx4	IL6-M20x4	8000	M20x2.50	1-1/16	1-1/2	3	1/2	4
IL2-M24Gx8	IL6-M24x8	20000	M24x3.00	1-1/2	1-7/8	4	13/32	8

**EXTENDED STUD LENGTHS - METRIC STEEL & STAINLESS STEEL WITH RUBBER PAD**

Steel	SS	Load	A	B	C	D	E	F
IL2-M6Gx2-P	IL6-M6x2-P	1050	M6x1	1/2	53/64	1	5/32	2-1/2
IL2-M10Gx4-P	IL6-M10x4-P	2250	M10x1.50	5/8	1	1-1/4	3/16	4
IL2-M12Gx4-P	IL6-M12x4-P	3750	M12x1.75	3/4	1-1/4	1-7/8	1/4	4
IL2-M16Gx4-P	IL6-M16x4-P	4500	M16x2.00	7/8	1-3/8	2-1/2	5/16	4
IL2-M20Gx4-P	IL6-M20x4-P	6000	M20x2.50	1-1/16	1-5/8	3	1/2	4
IL2-M24Gx8-P	IL6-M24x8-P	15000	M24x3.00	1-1/2	2	4	13/32	8

**DELRIN BASE - EXTENDED STUD LENGTHS - METRIC STEEL & STAINLESS STEEL**

Steel	SS	Load	A	B	C	D	E	F
IL4-M6Wx2	IL4-M6Sx2	200	M6x1	1/2	45/64	1	5/32	2-1/2
IL4-M10Wx4	IL4-M10Sx4	300	M10x1.50	5/8	7/8	1-1/4	3/16	4
IL4-M12Wx4	IL4-M12Sx4	700	M12x1.75	3/4	1-1/8	1-7/8	1/4	4
IL4-M16Wx4	IL4-M16Sx4	1200	M16x2.00	7/8	1-1/4	2-1/2	5/16	4
IL4-M20Wx4	IL4-M20Sx4	1800	M20x2.50	1-1/16	1-1/2	3	1/2	4
IL4-M24Wx8	IL4-M24Sx8	2400	M24x3.00	1-1/2	1-7/8	4	13/32	8

The delrin® base is white.



**LOW PROFILE METRIC SOCKET LEVELERS**

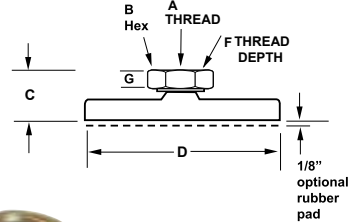
The IEC *Metric Low-Profile Socket Leveler* features an exclusive ball design that minimizes base separation. Ideal for heavy-duty load requirements. The threaded female socket allows use of your own stud or bolt. Integrated ball and swivel socket provide a low-friction support interface. Perfect for cabinets, instruments, machinery and equipment.

**Features**

- Steel/stainless steel options
- Integrated ball and socket
- Adjustable height
- Base adjusts 15° off centerline
- Standard gold irridite zinc finish
- Black oxide or clear chromate options
- Optional rubber pad (add -P)

**Applications**

- Electronic equipment
- Enclosures
- Conveyors
- Machinery
- Work tables
- Display racks



Nut Height: "G" = 1/2", 5/8", 11/16", 3/4"  
 for Threads: M12, M16, M20, M24

Nut Height: "G" = 3/16"  
 for Threads: M6, M8, M10

**LOW PROFILE - METRIC STEEL & STAINLESS STEEL SOCKET**

Steel	Stainless	Load	A	B	C	D	F	G
IL61-M6G	IL61-M6S	100	M6x1	1/2	5/8	3/4	3/8	3/16
IL61-M8G	IL61-M8S	500	M8x1.25	1/2	5/8	3/4	3/8	3/16
IL61-M10G	IL61-M10S	1000	M10x1.50	1/2	5/8	3/4	3/8	3/16
IL61-M12G	IL61-M12S	2000	M12x1.75	5/8	15/16	3/4	3/8	1/2
IL61-M16G	IL61-M16S	3000	M16x2.00	3/4	1-1/8	3/4	1/2	5/8
IL61-M20G	IL61-M20S	4000	M20x2.50	1	1-3/16	3/4	5/8	11/16
IL61-M24G	IL61-M24S	5000	M24x3.00	1-1/4	1-1/4	3/4	11/16	3/4
IL63-M6G	IL63-M6S	100	M6x1	1/2	5/8	1 1/4	3/8	3/16
IL63-M8G	IL63-M8S	500	M8x1.25	1/2	5/8	1 1/4	3/8	3/16
IL63-M10G	IL63-M10S	1000	M10x1.50	1/2	5/8	1 1/4	3/8	3/16
IL63-M12G	IL63-M12S	2000	M12x1.75	5/8	15/16	1 1/4	3/8	1/2
IL63-M16G	IL63-M16S	3000	M16x2.00	3/4	1-1/8	1 1/4	1/2	5/8
IL63-M20G	IL63-M20S	4000	M20x2.50	1	1-3/16	1 1/4	5/8	11/16
IL63-M24G	IL63-M24S	5000	M24x3.00	1-1/4	1-1/4	1 1/4	11/16	3/4
IL65-M6G	IL65-M6S	100	M6x1	1/2	5/8	1 7/8	3/8	3/16
IL65-M8G	IL65-M8S	500	M8x1.25	1/2	5/8	1 7/8	3/8	3/16
IL65-M10G	IL65-M10S	3000	M10x1.50	1/2	5/8	1 7/8	3/8	3/16
IL65-M12G	IL65-M12S	5000	M12x1.75	5/8	15/16	1 7/8	3/8	1/2
IL65-M16G	IL65-M16S	6000	M16x2.00	3/4	1-1/8	1 7/8	1/2	5/8
IL65-M20G	IL65-M20S	8000	M20x2.50	1	1-3/16	1 7/8	5/8	11/16
IL65-M24G	IL65-M24S	10000	M24x3.00	1-1/4	1-1/4	1 7/8	11/16	3/4
IL67-M6G	IL67-M6S	100	M6x1	1/2	5/8	2 1/2	3/8	3/16
IL67-M8G	IL67-M8S	500	M8x1.25	1/2	5/8	2 1/2	3/8	3/16
IL67-M10G	IL67-M10S	3000	M10x1.50	1/2	5/8	2 1/2	3/8	3/16
IL67-M12G	IL67-M12S	5000	M12x1.75	5/8	15/16	2 1/2	3/8	1/2
IL67-M16G	IL67-M16S	6000	M16x2.00	3/4	1-1/8	2 1/2	1/2	5/8
IL67-M20G	IL67-M20S	8000	M20x2.50	1	1-3/16	2 1/2	5/8	11/16
IL67-M24G	IL63-M24S	10000	M24x3.00	1-1/4	1-1/4	2 1/2	11/16	3/4
IL69-M6G	IL69-M6S	100	M6x1	1/2	5/8	3	3/8	3/16
IL69-M8G	IL69-M8S	500	M8x1.25	1/2	5/8	3	3/8	3/16
IL69-M10G	IL69-M10S	3000	M10x1.50	1/2	5/8	3	3/8	3/16
IL69-M12G	IL69-M12S	5000	M12x1.75	5/8	15/16	3	3/8	1/2
IL69-M16G	IL69-M16S	6000	M16x2.00	3/4	1-1/8	3	1/2	5/8
IL69-M20G	IL69-M20S	8000	M20x2.50	1	1-3/16	3	5/8	11/16
IL69-M24G	IL69-M24S	10000	M24x3.00	1-1/4	1-1/4	3	11/16	3/4
IL71-M6G	IL71-M6S	100	M6x1	1/2	5/8	4	3/8	3/16
IL71-M8G	IL71-M8S	500	M8x1.25	1/2	5/8	4	3/8	3/16
IL71-M10G	IL71-M10S	3000	M10x1.50	1/2	5/8	4	3/8	3/16
IL71-M12G	IL71-M12S	5000	M12x1.75	5/8	15/16	4	3/8	1/2
IL71-M16G	IL71-M16S	6000	M16x2.00	3/4	1-1/8	4	1/2	5/8
IL71-M20G	IL71-M20S	8000	M20x2.50	1	1-3/16	4	5/8	11/16
IL71-M24G	IL71-M24S	10000	M24x3.00	1-1/4	1-1/4	4	11/16	3/4

To order with 1/8" black rubber pad, (add "-P").  
 To order with two (2) 5/8" dia. lag holes centered at 2-3/4", (add "-H"). Only available on 4" base.



**INTERNATIONAL EQUIPMENT COMPONENTS, INC.**

Phone: 562.597.4533 eMail: sales@iec-corp.com

Web: www.levelingmounts.com & www.iec-corp.com

**HEAVY DUTY METRIC**  
**LOW PRO - 1" & 2" STUD**

**LOW-PROFILE METRIC STUD LEVELERS**

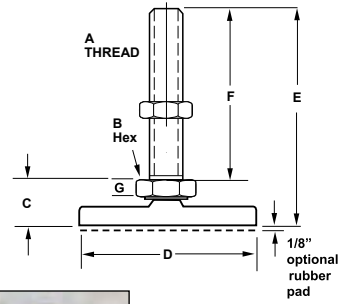
The IEC *Metric Low-Profile Stud Leveler* features an exclusive ball design that minimizes base separation. Ideal for heavy-duty load requirements. Integrated ball and swivel socket provide a low-friction support interface. Perfect for cabinets, instruments, machinery and equipment.

**Features**

- Steel/stainless steel options
- Integrated ball and stud
- Adjustable height
- Base adjusts 15° off centerline
- Standard gold irridite zinc finish
- Black oxide or clear chromate options
- Optional rubber pad (add -P)
- Non-tilt and extended stud length designs (2" - 8")
- Optional Top-A-Just™ shown at right. (add "-BR" to P/N)

**Applications**

- Electronic equipment
- Enclosures
- Conveyors
- Machinery
- Work tables
- Display racks



**LOW PROFILE - METRIC STEEL & STAINLESS STEEL (1" & 2" STUD)**

Steel	Stainless	Load	A	B	C	D	E	F	G
IL60-M6Gx1	IL60-M6Sx1	100	M6x1	1/2	3/4	3/4	1-3/4	1	3/16
IL60-M8Gx1	IL60-M8Sx1	500	M8x1.25	1/2	3/4	3/4	1-3/4	1	3/16
IL60-M6G	IL60-M6S	100	M6x1	1/2	3/4	3/4	2-3/4	2	3/16
IL60-M8G	IL60-M8S	500	M8x1.25	1/2	3/4	3/4	2-3/4	2	3/16
IL60-M10G	IL60-M10S	1000	M10x1.50	1/2	3/4	3/4	2-3/4	2	3/16
IL60-M12G	IL60-M12S	2000	M12x1.75	1/2	3/4	3/4	2-3/4	2	3/16
IL60-M16G	IL60-M16S	3000	M16x2.00	5/8	3/4	3/4	2-3/4	2	3/16
IL60-M20G	IL60-M20S	4000	M20x2.50	3/4	3/4	3/4	2-3/4	2	3/16
IL60-M24G	IL60-M24S	5000	M24x3.00	1	1	3/4	3	2	1/2
IL62-M6Gx1	IL62-M6Sx1	100	M6x1	1/2	3/4	1 1/4	1-3/4	1	3/16
IL62-M8Gx1	IL62-M8Sx1	500	M8x1.25	1/2	3/4	1 1/4	1-3/4	1	3/16
IL62-M6G	IL62-M6S	100	M6x1	1/2	3/4	1 1/4	2-3/4	2	3/16
IL62-M8G	IL62-M8S	500	M8x1.25	1/2	3/4	1 1/4	2-3/4	2	3/16
IL62-M10G	IL62-M10S	1000	M10x1.50	1/2	3/4	1 1/4	2-3/4	2	3/16
IL62-M12G	IL62-M12S	2000	M12x1.75	1/2	3/4	1 1/4	2-3/4	2	3/16
IL62-M16G	IL62-M16S	3000	M16x2.00	5/8	3/4	1 1/4	2-3/4	2	3/16
IL62-M20G	IL62-M20S	4000	M20x2.50	3/4	3/4	1 1/4	2-3/4	2	3/16
IL62-M24G	IL62-M24S	5000	M24x3.00	1	1	1 1/4	3	2	1/2
IL64-M6Gx1	IL64-M6Sx1	100	M6x1	1/2	3/4	1 7/8	1-3/4	1	3/16
IL64-M8Gx1	IL64-M8Sx1	500	M8x1.25	1/2	3/4	1 7/8	1-3/4	1	3/16
IL64-M6G	IL64-M6S	100	M6x1	1/2	3/4	1 7/8	2-3/4	2	3/16
IL64-M8G	IL64-M8S	500	M8x1.25	1/2	3/4	1 7/8	2-3/4	2	3/16
IL64-M10G	IL64-M10S	3000	M10x1.50	1/2	3/4	1 7/8	2-3/4	2	3/16
IL64-M12G	IL64-M12S	5000	M12x1.75	1/2	3/4	1 7/8	2-3/4	2	3/16
IL64-M16G	IL64-M16S	6000	M16x2.00	5/8	3/4	1 7/8	2-3/4	2	3/16
IL64-M20G	IL64-M20S	8000	M20x2.50	3/4	3/4	1 7/8	2-3/4	2	3/16
IL64-M24G	IL64-M24S	10000	M24x3.00	1	1	1 7/8	3	2	1/2
IL66-M6Gx1	IL66-M6Sx1	100	M6x1	1/2	3/4	2 1/2	1-3/4	1	3/16
IL66-M8Gx1	IL66-M8Sx1	500	M8x1.25	1/2	3/4	2 1/2	1-3/4	1	3/16
IL66-M6G	IL66-M6S	100	M6x1	1/2	3/4	2 1/2	2-3/4	2	3/16
IL66-M8G	IL66-M8S	500	M8x1.25	1/2	3/4	2 1/2	2-3/4	2	3/16
IL66-M10G	IL66-M10S	3000	M10x1.50	1/2	3/4	2 1/2	2-3/4	2	3/16
IL66-M12G	IL66-M12S	5000	M12x1.75	1/2	3/4	2 1/2	2-3/4	2	3/16
IL66-M16G	IL66-M16S	6000	M16x2.00	5/8	3/4	2 1/2	2-3/4	2	3/16
IL66-M20G	IL66-M20S	8000	M20x2.50	3/4	3/4	2 1/2	2-3/4	2	3/16
IL66-M24G	IL66-M24S	10000	M24x3.00	1	1	2 1/2	3	2	1/2
IL68-M6Gx1	IL68-M6Sx1	100	M6x1	1/2	3/4	3	1-3/4	1	3/16
IL68-M8Gx1	IL68-M8Sx1	500	M8x1.25	1/2	3/4	3	1-3/4	1	3/16
IL68-M6G	IL68-M6S	100	M6x1	1/2	3/4	3	2-3/4	2	3/16
IL68-M8G	IL68-M8S	500	M8x1.25	1/2	3/4	3	2-3/4	2	3/16
IL68-M10G	IL68-M10S	3000	M10x1.50	1/2	3/4	3	2-3/4	2	3/16
IL68-M12G	IL68-M12S	5000	M12x1.75	1/2	3/4	3	2-3/4	2	3/16
IL68-M16G	IL68-M16S	6000	M16x2.00	5/8	3/4	3	2-3/4	2	3/16
IL68-M20G	IL68-M20S	8000	M20x2.50	3/4	3/4	3	2-3/4	2	3/16
IL68-M24G	IL68-M24S	10000	M24x3.00	1	1	3	3	2	1/2
IL70-M6Gx1	IL70-M6Sx1	100	M6x1	1/2	3/4	4	1-3/4	1	3/16
IL70-M8Gx1	IL70-M8Sx1	500	M8x1.25	1/2	3/4	4	1-3/4	1	3/16
IL70-M6G	IL70-M6S	100	M6x1	1/2	3/4	4	2-3/4	2	3/16
IL70-M8G	IL70-M8S	500	M8x1.25	1/2	3/4	4	2-3/4	2	3/16
IL70-M10G	IL70-M10S	3000	M10x1.50	1/2	3/4	4	2-3/4	2	3/16
IL70-M12G	IL70-M12S	5000	M12x1.75	1/2	3/4	4	2-3/4	2	3/16
IL70-M16G	IL70-M16S	6000	M16x2.00	5/8	3/4	4	2-3/4	2	3/16
IL70-M20G	IL70-M20S	8000	M20x2.50	3/4	3/4	4	2-3/4	2	3/16
IL70-M24G	IL70-24S	10000	M24x3.00	1	1	4	3	2	1/2



**LOW-PROFILE METRIC STUD LEVELERS**

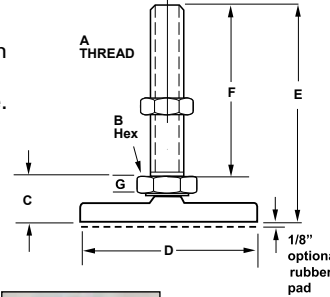
The IEC *Metric Low-Profile Stud Leveler* features an exclusive ball design that minimizes base separation. Ideal for heavy-duty load requirements. Integrated ball and swivel socket provide a low-friction support interface. Perfect for cabinets, instruments, machinery and equipment.

**Features**

- Steel/stainless steel options
- Integrated ball and stud
- Adjustable height
- Base adjusts 15° off centerline
- Standard gold irridite zinc finish
- Black oxide or clear chromate options
- Optional rubber pad (add -P)
- Non-tilt and extended stud length designs (2" - 8")
- Optional Top-A-Just™ shown at right. (add "-BR" to P/N)

**Applications**

- Electronic equipment
- Enclosures
- Conveyors
- Machinery
- Work tables
- Display racks



**LOW PROFILE - METRIC STEEL & STAINLESS STEEL (3" STUD)**

Steel	Stainless	Load	A	B	C	D	E	F	G
IL60-M8Gx3	IL60-M8Sx3	500	M8x1.25	1/2	3/4	3/4	3-3/4	3	3/16
IL60-M10Gx3	IL60-M10Sx3	1000	M10x1.50	1/2	3/4	3/4	3-3/4	3	3/16
IL60-M12Gx3	IL60-M12Sx3	2000	M12x1.75	1/2	3/4	3/4	3-3/4	3	3/16
IL60-M16Gx3	IL60-M16Sx3	3000	M16x2.00	5/8	3/4	3/4	3-3/4	3	3/16
IL60-M20Gx3	IL60-M20Sx3	4000	M20x2.50	3/4	3/4	3/4	3-3/4	3	3/16
IL60-M24Gx3	IL60-M24Sx3	5000	M24x3.00	1	1	3/4	4	3	1/2
IL62-M8Gx3	IL62-M8Sx3	500	M8x1.25	1/2	3/4	1 1/4	3-3/4	3	3/16
IL62-M10Gx3	IL62-M10Sx3	1000	M10x1.50	1/2	3/4	1 1/4	3-3/4	3	3/16
IL62-M12Gx3	IL62-M12Sx3	2000	M12x1.75	1/2	3/4	1 1/4	3-3/4	3	3/16
IL62-M16Gx3	IL62-M16Sx3	3000	M16x2.00	5/8	3/4	1 1/4	3-3/4	3	3/16
IL62-M20Gx3	IL62-M20Sx3	4000	M20x2.50	3/4	3/4	1 1/4	3-3/4	3	3/16
IL62-M24Gx3	IL62-M24Sx3	5000	M24x3.00	1	1	1 1/4	4	3	1/2
IL64-M8Gx3	IL64-M8Sx3	500	M8x1.25	1/2	3/4	1 7/8	3-3/4	3	3/16
IL64-M10Gx3	IL64-M10Sx3	3000	M10x1.50	1/2	3/4	1 7/8	3-3/4	3	3/16
IL64-M12Gx3	IL64-M12Sx3	5000	M12x1.75	1/2	3/4	1 7/8	3-3/4	3	3/16
IL64-M16Gx3	IL64-M16Sx3	6000	M16x2.00	5/8	3/4	1 7/8	3-3/4	3	3/16
IL64-M20Gx3	IL64-M20Sx3	8000	M20x2.50	3/4	3/4	1 7/8	3-3/4	3	3/16
IL64-M24Gx3	IL64-M24Sx3	10000	M24x3.00	1	1	1 7/8	4	3	1/2
IL66-M8Gx3	IL66-M8Sx3	500	M8x1.25	1/2	3/4	2 1/2	3-3/4	3	3/16
IL66-M10Gx3	IL66-M10Sx3	3000	M10x1.50	1/2	3/4	2 1/2	3-3/4	3	3/16
IL66-M12Gx3	IL66-M12Sx3	5000	M12x1.75	1/2	3/4	2 1/2	3-3/4	3	3/16
IL66-M16Gx3	IL66-M16Sx3	6000	M16x2.00	5/8	3/4	2 1/2	3-3/4	3	3/16
IL66-M20Gx3	IL66-M20Sx3	8000	M20x2.50	3/4	3/4	2 1/2	3-3/4	3	3/16
IL66-M24Gx3	IL66-M24Sx3	10000	M24x3.00	1	1	2 1/2	4	3	1/2
IL68-M8Gx3	IL68-M8Sx3	500	M8x1.25	1/2	3/4	3	3-3/4	3	3/16
IL68-M10Gx3	IL68-M10Sx3	3000	M10x1.50	1/2	3/4	3	3-3/4	3	3/16
IL68-M12Gx3	IL68-M12Sx3	5000	M12x1.75	1/2	3/4	3	3-3/4	3	3/16
IL68-M16Gx3	IL68-M16Sx3	6000	M16x2.00	5/8	3/4	3	3-3/4	3	3/16
IL68-M20Gx3	IL68-M20Sx3	8000	M20x2.50	3/4	3/4	3	3-3/4	3	3/16
IL68-M24Gx3	IL68-M24Sx3	10000	M24x3.00	1	1	3	4	3	1/2
IL70-M8Gx3	IL70-M8Sx3	500	M8x1.25	1/2	3/4	4	3-3/4	3	3/16
IL70-M10Gx3	IL70-M10Sx3	3000	M10x1.50	1/2	3/4	4	3-3/4	3	3/16
IL70-M12Gx3	IL70-M12Sx3	5000	M12x1.75	1/2	3/4	4	3-3/4	3	3/16
IL70-M16Gx3	IL70-M16Sx3	6000	M16x2.00	5/8	3/4	4	3-3/4	3	3/16
IL70-M20Gx3	IL70-M20Sx3	8000	M20x2.50	3/4	3/4	4	3-3/4	3	3/16
IL70-M24Gx3	IL70-M24Sx3	10000	M24x3.00	1	1	4	4	3	1/2

To order with 1/8" black rubber pad, (add "-P"). To order optional top broached hex, "allen drive," add "-BR". To order with two (2) 5/8" dia. lag holes centered at 2-3/4", (add "-H"). Only available on 4" base.

Top Hex (Allen-drive) Thread & Hex Size							
Thread	M6x1	M8x1.25	M10x1.50	M12x1.75	M16x2.00	M20x2.50	M24x3.00
Hex Size	3mm	4mm	5mm	6mm	8mm	10mm	12mm



**LOW-PROFILE METRIC STUD LEVELERS**

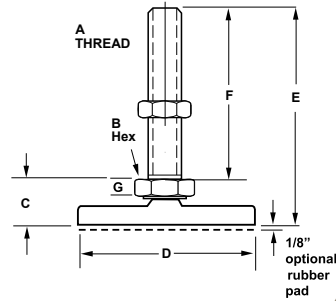
The IEC *Metric Low-Profile Stud Leveler* features an exclusive ball design that minimizes base separation. Ideal for heavy-duty load requirements. Integrated ball and swivel socket provide a low-friction support interface. Perfect for cabinets, instruments, machinery and equipment.

**Features**

- Steel/stainless steel options
- Integrated ball and stud
- Adjustable height
- Base adjusts 15° off centerline
- Standard gold irridite zinc finish
- Black oxide or clear chromate options
- Optional rubber pad (add -P)
- Non-tilt and extended stud length designs (2" - 8")
- Optional Top-A-Just™ shown at right. (add "-BR" to P/N)

**Applications**

- Electronic equipment
- Enclosures
- Conveyors
- Machinery
- Work tables
- Display racks



**LOW PROFILE - METRIC STEEL & STAINLESS STEEL (4" STUD)**

Steel	Stainless	Load	A	B	C	D	E	F	G
IL60-M8Gx4	IL60-M8Sx4	500	M8x1.25	1/2	3/4	3/4	4-3/4	4	3/16
IL60-M10Gx4	IL60-M10Sx4	1000	M10x1.50	1/2	3/4	3/4	4-3/4	4	3/16
IL60-M12Gx4	IL60-M12Sx4	2000	M12x1.75	1/2	3/4	3/4	4-3/4	4	3/16
IL60-M16Gx4	IL60-M16Sx4	3000	M16x2.00	5/8	3/4	3/4	4-3/4	4	3/16
IL60-M20Gx4	IL60-M20Sx4	4000	M20x2.50	3/4	3/4	3/4	4-3/4	4	3/16
IL60-M24Gx4	IL60-M24Sx4	5000	M24x3.00	1	1	3/4	5	4	1/2
IL62-M8Gx4	IL62-M8Sx4	500	M8x1.25	1/2	3/4	1 1/4	4-3/4	4	3/16
IL62-M10Gx4	IL62-M10Sx4	1000	M10x1.50	1/2	3/4	1 1/4	4-3/4	4	3/16
IL62-M12Gx4	IL62-M12Sx4	2000	M12x1.75	1/2	3/4	1 1/4	4-3/4	4	3/16
IL62-M16Gx4	IL62-M16Sx4	3000	M16x2.00	5/8	3/4	1 1/4	4-3/4	4	3/16
IL62-M20Gx4	IL62-M20Sx4	4000	M20x2.50	3/4	3/4	1 1/4	4-3/4	4	3/16
IL62-M24Gx4	IL62-M24Sx4	5000	M24x3.00	1	1	1 1/4	5	4	1/2
IL64-M8Gx4	IL64-M8Sx4	500	M8x1.25	1/2	3/4	1 7/8	4-3/4	4	3/16
IL64-M10Gx4	IL64-M10Sx4	3000	M10x1.50	1/2	3/4	1 7/8	4-3/4	4	3/16
IL64-M12Gx4	IL64-M12Sx4	5000	M12x1.75	1/2	3/4	1 7/8	4-3/4	4	3/16
IL64-M16Gx4	IL64-M16Sx4	6000	M16x2.00	5/8	3/4	1 7/8	4-3/4	4	3/16
IL64-M20Gx4	IL64-M20Sx4	8000	M20x2.50	3/4	3/4	1 7/8	4-3/4	4	3/16
IL64-M24Gx4	IL64-M24Sx4	10000	M24x3.00	1	1	1 7/8	5	4	1/2
IL66-M8Gx4	IL66-M8Sx4	500	M8x1.25	1/2	3/4	2 1/2	4-3/4	4	3/16
IL66-M10Gx4	IL66-M10Sx4	3000	M10x1.50	1/2	3/4	2 1/2	4-3/4	4	3/16
IL66-M12Gx4	IL66-M12Sx4	5000	M12x1.75	1/2	3/4	2 1/2	4-3/4	4	3/16
IL66-M16Gx4	IL66-M16Sx4	6000	M16x2.00	5/8	3/4	2 1/2	4-3/4	4	3/16
IL66-M20Gx4	IL66-M20Sx4	8000	M20x2.50	3/4	3/4	2 1/2	4-3/4	4	3/16
IL66-M24Gx4	IL66-M24Sx4	10000	M24x3.00	1	1	2 1/2	5	4	1/2
IL68-M8Gx4	IL68-M8Sx4	500	M8x1.25	1/2	3/4	3	4-3/4	4	3/16
IL68-M10Gx4	IL68-M10Sx4	3000	M10x1.50	1/2	3/4	3	4-3/4	4	3/16
IL68-M12Gx4	IL68-M12Sx4	5000	M12x1.75	1/2	3/4	3	4-3/4	4	3/16
IL68-M16Gx4	IL68-M16Sx4	6000	M16x2.00	5/8	3/4	3	4-3/4	4	3/16
IL68-M20Gx4	IL68-M20Sx4	8000	M20x2.50	3/4	3/4	3	4-3/4	4	3/16
IL68-M24Gx4	IL68-M24Sx4	10000	M24x3.00	1	1	3	5	4	1/2
IL70-M8Gx4	IL70-M8Sx4	500	M8x1.25	1/2	3/4	4	4-3/4	4	3/16
IL70-M10Gx4	IL70-M10Sx4	3000	M10x1.50	1/2	3/4	4	4-3/4	4	3/16
IL70-M12Gx4	IL70-M12Sx4	5000	M12x1.75	1/2	3/4	4	4-3/4	4	3/16
IL70-M16Gx4	IL70-M16Sx4	6000	M16x2.00	5/8	3/4	4	4-3/4	4	3/16
IL70-M20Gx4	IL70-M20Sx4	8000	M20x2.50	3/4	3/4	4	4-3/4	4	3/16
IL70-M24Gx4	IL70-M24Sx4	10000	M24x3.00	1	1	4	5	4	1/2

To order with 1/8" black rubber pad, (add "-P"). To order optional top broached hex, "allen drive," add "-BR". To order with two (2) 5/8" dia. lag holes centered at 2-3/4", (add "-H"). Only available on 4" base.

Top Hex (Allen-drive) Thread & Hex Size							
Thread	M6x1	M8x1.25	M10x1.50	M12x1.75	M16x2.00	M20x2.50	M24x3.00
Hex Size	3mm	4mm	5mm	6mm	8mm	10mm	12mm



**LOW-PROFILE METRIC STUD LEVELERS**

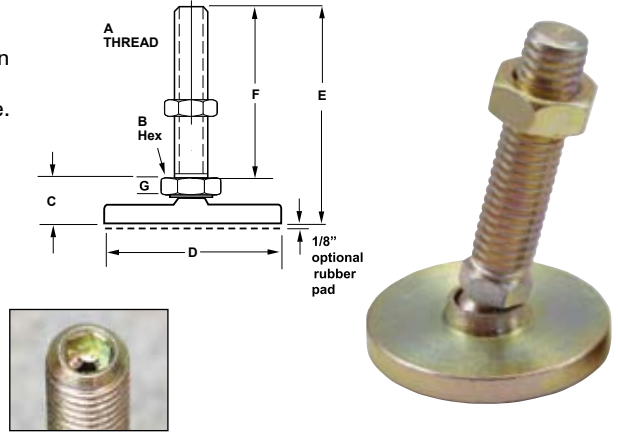
The IEC *Metric Low-Profile Stud Leveler* features an exclusive ball design that minimizes base separation. Ideal for heavy-duty load requirements. Integrated ball and swivel socket provide a low-friction support interface. Perfect for cabinets, instruments, machinery and equipment.

**Features**

- Steel/stainless steel options
- Integrated ball and stud
- Adjustable height
- Base adjusts 15° off centerline
- Standard gold irridite zinc finish
- Black oxide or clear chromate options
- Optional rubber pad (add -P)
- Non-tilt and extended stud length designs (2" - 8")
- Optional Top-A-Just™ shown at right. (add "-BR" to P/N)

**Applications**

- Electronic equipment
- Enclosures
- Conveyors
- Machinery
- Work tables
- Display racks



**LOW PROFILE - METRIC STEEL & STAINLESS STEEL (5" STUD)**

Steel	Stainless	Load	A	B	C	D	E	F	G
IL60-M10Gx5	IL60-M10Sx5	1000	M10x1.50	1/2	3/4	3/4	5-3/4	5	3/16
IL60-M12Gx5	IL60-M12Sx5	2000	M12x1.75	1/2	3/4	3/4	5-3/4	5	3/16
IL60-M16Gx5	IL60-M16Sx5	3000	M16x2.00	5/8	3/4	3/4	5-3/4	5	3/16
IL60-M20Gx5	IL60-M20Sx5	4000	M20x2.50	3/4	3/4	3/4	5-3/4	5	3/16
IL60-M24Gx5	IL60-M24Sx5	5000	M24x3.00	1	1	3/4	6	5	1/2
IL62-M10Gx5	IL62-M10Sx5	1000	M10x1.50	1/2	3/4	1 1/4	5-3/4	5	3/16
IL62-M12Gx5	IL62-M12Sx5	2000	M12x1.75	1/2	3/4	1 1/4	5-3/4	5	3/16
IL62-M16Gx5	IL62-M16Sx5	3000	M16x2.00	5/8	3/4	1 1/4	5-3/4	5	3/16
IL62-M20Gx5	IL62-M20Sx5	4000	M20x2.50	3/4	3/4	1 1/4	5-3/4	5	3/16
IL62-M24Gx5	IL62-M24Sx5	5000	M24x3.00	1	1	1 1/4	6	5	1/2
IL64-M10Gx5	IL64-M10Sx5	3000	M10x1.50	1/2	3/4	1 7/8	5-3/4	5	3/16
IL64-M12Gx5	IL64-M12Sx5	5000	M12x1.75	1/2	3/4	1 7/8	5-3/4	5	3/16
IL64-M16Gx5	IL64-M16Sx5	6000	M16x2.00	5/8	3/4	1 7/8	5-3/4	5	3/16
IL64-M20Gx5	IL64-M20Sx5	8000	M20x2.50	3/4	3/4	1 7/8	5-3/4	5	3/16
IL64-M24Gx5	IL64-M24Sx5	10000	M24x3.00	1	1	1 7/8	6	5	1/2
IL66-M10Gx5	IL66-M10Sx5	3000	M10x1.50	1/2	3/4	2 1/2	5-3/4	5	3/16
IL66-M12Gx5	IL66-M12Sx5	5000	M12x1.75	1/2	3/4	2 1/2	5-3/4	5	3/16
IL66-M16Gx5	IL66-M16Sx5	6000	M16x2.00	5/8	3/4	2 1/2	5-3/4	5	3/16
IL66-M20Gx5	IL66-M20Sx5	8000	M20x2.50	3/4	3/4	2 1/2	5-3/4	5	3/16
IL66-M24Gx5	IL66-M24Sx5	10000	M24x3.00	1	1	2 1/2	6	5	1/2
IL68-M10Gx5	IL68-M10Sx5	3000	M10x1.50	1/2	3/4	3	5-3/4	5	3/16
IL68-M12Gx5	IL68-M12Sx5	5000	M12x1.75	1/2	3/4	3	5-3/4	5	3/16
IL68-M16Gx5	IL68-M16Sx5	6000	M16x2.00	5/8	3/4	3	5-3/4	5	3/16
IL68-M20Gx5	IL68-M20Sx5	8000	M20x2.50	3/4	3/4	3	5-3/4	5	3/16
IL68-M24Gx5	IL68-M24Sx5	10000	M24x3.00	1	1	3	6	5	1/2
IL70-M10Gx5	IL70-M10Sx5	3000	M10x1.50	1/2	3/4	4	5-3/4	5	3/16
IL70-M12Gx5	IL70-M12Sx5	5000	M12x1.75	1/2	3/4	4	5-3/4	5	3/16
IL70-M16Gx5	IL70-M16Sx5	6000	M16x2.00	5/8	3/4	4	5-3/4	5	3/16
IL70-M20Gx5	IL70-M20Sx5	8000	M20x2.50	3/4	3/4	4	5-3/4	5	3/16
IL70-M24Gx5	IL70-M24Sx5	10000	M24x3.00	1	1	4	6	5	1/2

To order with 1/8" black rubber pad, (add "-P"). To order optional top broached hex, "allen drive," add "-BR".  
 To order with two (2) 5/8" dia. lag holes centered at 2-3/4", (add "-H"). Only available on 4" base.

Top Hex (Allen-drive) Thread & Hex Size							
Thread	M6x1	M8x1.25	M10x1.50	M12x1.75	M16x2.00	M20x2.50	M24x3.00
Hex Size	3mm	4mm	5mm	6mm	8mm	10mm	12mm





**LOW-PROFILE METRIC STUD LEVELERS**

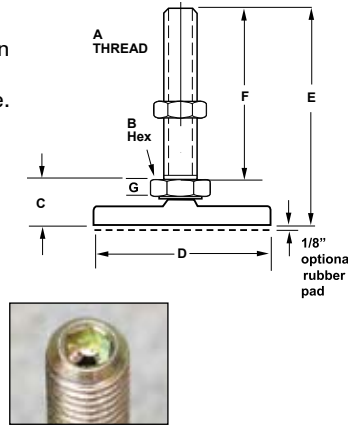
The IEC *Metric Low-Profile Stud Leveler* features an exclusive ball design that minimizes base separation. Ideal for heavy-duty load requirements. Integrated ball and swivel socket provide a low-friction support interface. Perfect for cabinets, instruments, machinery and equipment.

**Features**

- Steel/stainless steel options
- Integrated ball and stud
- Adjustable height
- Base adjusts 15° off centerline
- Standard gold irridite zinc finish
- Black oxide or clear chromate options
- Optional rubber pad (add -P)
- Non-tilt and extended stud length designs (2" - 8")
- Optional Top-A-Just™ shown at right. (add "-BR" to P/N)

**Applications**

- Electronic equipment
- Enclosures
- Conveyors
- Machinery
- Work tables
- Display racks



**LOW PROFILE - METRIC STEEL & STAINLESS STEEL (6" STUD)**

Steel	Stainless	Load	A	B	C	D	E	F	G
IL60-M10Gx6	IL60-M10Sx6	1000	M10x1.50	1/2	3/4	3/4	6-3/4	6	3/16
IL60-M12Gx6	IL60-M12Sx6	2000	M12x1.75	1/2	3/4	3/4	6-3/4	6	3/16
IL60-M16Gx6	IL60-M16Sx6	3000	M16x2.00	5/8	3/4	3/4	6-3/4	6	3/16
IL60-M20Gx6	IL60-M20Sx6	4000	M20x2.50	3/4	3/4	3/4	6-3/4	6	3/16
IL60-M24Gx6	IL60-M24Sx6	5000	M24x3.00	1	1	3/4	7	6	1/2
IL62-M10Gx6	IL62-M10Sx6	1000	M10x1.50	1/2	3/4	1 1/4	6-3/4	6	3/16
IL62-M12Gx6	IL62-M12Sx6	2000	M12x1.75	1/2	3/4	1 1/4	6-3/4	6	3/16
IL62-M16Gx6	IL62-M16Sx6	3000	M16x2.00	5/8	3/4	1 1/4	6-3/4	6	3/16
IL62-M20Gx6	IL62-M20Sx6	4000	M20x2.50	3/4	3/4	1 1/4	6-3/4	6	3/16
IL62-M24Gx6	IL62-M24Sx6	5000	M24x3.00	1	1	1 1/4	7	6	1/2
IL64-M10Gx6	IL64-M10Sx6	3000	M10x1.50	1/2	3/4	1 7/8	6-3/4	6	3/16
IL64-M12Gx6	IL64-M12Sx6	5000	M12x1.75	1/2	3/4	1 7/8	6-3/4	6	3/16
IL64-M16Gx6	IL64-M16Sx6	6000	M16x2.00	5/8	3/4	1 7/8	6-3/4	6	3/16
IL64-M20Gx6	IL64-M20Sx6	8000	M20x2.50	3/4	3/4	1 7/8	6-3/4	6	3/16
IL64-M24Gx6	IL64-M24Sx6	10000	M24x3.00	1	1	1 7/8	7	6	1/2
IL66-M10Gx6	IL66-M10Sx6	3000	M10x1.50	1/2	3/4	2 1/2	6-3/4	6	3/16
IL66-M12Gx6	IL66-M12Sx6	5000	M12x1.75	1/2	3/4	2 1/2	6-3/4	6	3/16
IL66-M16Gx6	IL66-M16Sx6	6000	M16x2.00	5/8	3/4	2 1/2	6-3/4	6	3/16
IL66-M20Gx6	IL66-M20Sx6	8000	M20x2.50	3/4	3/4	2 1/2	6-3/4	6	3/16
IL66-M24Gx6	IL66-M24Sx6	10000	M24x3.00	1	1	2 1/2	7	6	1/2
IL68-M10Gx6	IL68-M10Sx6	3000	M10x1.50	1/2	3/4	3	6-3/4	6	3/16
IL68-M12Gx6	IL68-M12Sx6	5000	M12x1.75	1/2	3/4	3	6-3/4	6	3/16
IL68-M16Gx6	IL68-M16Sx6	6000	M16x2.00	5/8	3/4	3	6-3/4	6	3/16
IL68-M20Gx6	IL68-M20Sx6	8000	M20x2.50	3/4	3/4	3	6-3/4	6	3/16
IL68-M24Gx6	IL68-M24Sx6	1000	M24x3.00	1	1	3	7	6	1/2
IL70-M10Gx6	IL70-M10Sx6	3000	M10x1.50	1/2	3/4	4	6-3/4	6	3/16
IL70-M12Gx6	IL70-M12Sx6	5000	M12x1.75	1/2	3/4	4	6-3/4	6	3/16
IL70-M16Gx6	IL70-M16Sx6	6000	M16x2.00	5/8	3/4	4	6-3/4	6	3/16
IL70-M20Gx6	IL70-M20Sx6	8000	M20x2.50	3/4	3/4	4	6-3/4	6	3/16
IL70-M24Gx6	IL70-M24Sx6	10000	M24x3.00	1	1	4	7	6	1/2

To order with 1/8" black rubber pad, (add "-P"). To order optional top broached hex, "allen drive," add "-BR".  
 To order with two (2) 5/8" dia. lag holes centered at 2-3/4", (add "-H"). Only available on 4" base.

Top Hex (Allen-drive) Thread & Hex Size							
Thread	M6x1	M8x1.25	M10x1.50	M12x1.75	M16x2.00	M20x2.50	M24x3.00
Hex Size	3mm	4mm	5mm	6mm	8mm	10mm	12mm



**LOW-PROFILE METRIC STUD LEVELERS**

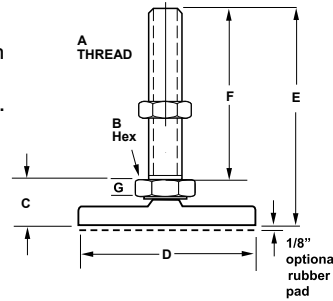
The IEC *Metric Low-Profile Stud Leveler* features an exclusive ball design that minimizes base separation. Ideal for heavy-duty load requirements. Integrated ball and swivel socket provide a low-friction support interface. Perfect for cabinets, instruments, machinery and equipment.

**Features**

- Steel/stainless steel options
- Integrated ball and stud
- Adjustable height
- Base adjusts 15° off centerline
- Standard gold irridite zinc finish
- Black oxide or clear chromate options
- Optional rubber pad (add -P)
- Non-tilt and extended stud length designs (2" - 8")
- Optional Top-A-Just™ shown at right. (add "-BR" to P/N)

**Applications**

- Electronic equipment
- Enclosures
- Conveyors
- Machinery
- Work tables
- Display racks



**LOW PROFILE - METRIC STEEL & STAINLESS STEEL (8" STUD)**

Steel	Stainless	Load	A	B	C	D	E	F	G
IL60-M12Gx8	IL60-M12Sx8	2000	M12x1.75	1/2	3/4	3/4	8-3/4	8	3/16
IL60-M16Gx8	IL60-M16Sx8	3000	M16x2.00	5/8	3/4	3/4	8-3/4	8	3/16
IL60-M20Gx8	IL60-M20Sx8	4000	M20x2.50	3/4	3/4	3/4	8-3/4	8	3/16
IL60-M24Gx8	IL60-M24Sx8	5000	M24x3.00	1	1	3/4	9	8	1/2
IL62-M12Gx8	IL62-M12Sx8	2000	M12x1.75	1/2	3/4	1 1/4	8-3/4	8	3/16
IL62-M16Gx8	IL62-M16Sx8	3000	M16x2.00	5/8	3/4	1 1/4	8-3/4	8	3/16
IL62-M20Gx8	IL62-M20Sx8	4000	M20x2.50	3/4	3/4	1 1/4	8-3/4	8	3/16
IL62-M24Gx8	IL62-M24Sx8	5000	M24x3.00	1	1	1 1/4	9	8	1/2
IL64-M12Gx8	IL64-M12Sx8	5000	M12x1.75	1/2	3/4	1 7/8	8-3/4	8	3/16
IL64-M16Gx8	IL64-M16Sx8	6000	M16x2.00	5/8	3/4	1 7/8	8-3/4	8	3/16
IL64-M20Gx8	IL64-M20Sx8	8000	M20x2.50	3/4	3/4	1 7/8	8-3/4	8	3/16
IL64-M24Gx8	IL64-M24Sx8	10000	M24x3.00	1	1	1 7/8	9	8	1/2
IL66-M12Gx8	IL66-M12Sx8	5000	M12x1.75	1/2	3/4	2 1/2	8-3/4	8	3/16
IL66-M16Gx8	IL66-M16Sx8	6000	M16x2.00	5/8	3/4	2 1/2	8-3/4	8	3/16
IL66-M20Gx8	IL66-M20Sx8	8000	M20x2.50	3/4	3/4	2 1/2	8-3/4	8	3/16
IL66-M24Gx8	IL66-M24Sx8	10000	M24x3.00	1	1	2 1/2	9	8	1/2
IL68-M12Gx8	IL68-M12Sx8	5000	M12x1.75	1/2	3/4	3	8-3/4	8	3/16
IL68-M16Gx8	IL68-M16Sx8	6000	M16x2.00	5/8	3/4	3	8-3/4	8	3/16
IL68-M20Gx8	IL68-M20Sx8	8000	M20x2.50	3/4	3/4	3	8-3/4	8	3/16
IL68-M24Gx8	IL68-M24Sx8	10000	M24x3.00	1	1	3	9	8	1/2
IL70-M12Gx8	IL70-M12Sx8	5000	M12x1.75	1/2	3/4	4	8-3/4	8	3/16
IL70-M16Gx8	IL70-M16Sx8	6000	M16x2.00	5/8	3/4	4	8-3/4	8	3/16
IL70-M20Gx8	IL70-M20Sx8	8000	M20x2.50	3/4	3/4	4	8-3/4	8	3/16
IL70-M24Gx8	IL70-M24Sx8	10000	M24x3.00	1	1	4	9	8	1/2

To order with 1/8" black rubber pad, (add "-P"). To order optional top broached hex, "allen drive," add "-BR". To order with two (2) 5/8" dia. lag holes centered at 2-3/4", (add "-H"). Only available on 4" base.

Top Hex (Allen-drive) Thread & Hex Size							
Thread	M6x1	M8x1.25	M10x1.50	M12x1.75	M16x2.00	M20x2.50	M24x3.00
Hex Size	3mm	4mm	5mm	6mm	8mm	10mm	12mm



**INTERNATIONAL EQUIPMENT COMPONENTS, INC.**

Phone: 562.597.4533 eMail: sales@iec-corp.com

Web: www.levelingmounts.com & www.iec-corp.com

**HEAVY DUTY METRIC**

**TOGGLE PADS  
SOCKET**

**TOGGLE PADS - METRIC SOCKET**

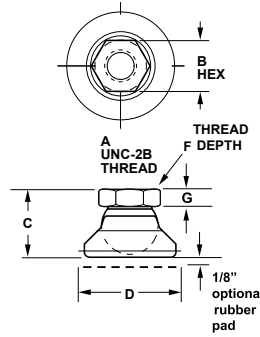
The IEC Metric Socket Toggle Pad features an exclusive ball design that minimizes base separation. Ideal for heavy-duty load requirements. The threaded female socket allows use of your own stud or bolt. Integrated ball and swivel socket provide a low-friction support interface. Standard steel finish is corrosion resistant zinc-plated gold irridite. Other finishes available upon request.

**Features**

- Steel/stainless steel options
- Integrated ball and socket
- White Delrin (nylon) base option
- Black delrin available as custom item (change to -BD)

**Applications**

- Electronic equipment
- Enclosures
- Conveyors
- Fixtures / Tooling



**METRIC TOGGLE PADS - STEEL & STAINLESS STEEL SOCKET**

Steel	Stainless	Load	A	B	C	D	F	G
IL61-M6G	IL61-M6S	100	M6x1	1/2	5/8	3/4	3/8	3/16
IL61-M8G	IL61-M8S	500	M8x1.25	1/2	5/8	3/4	3/8	3/16
IL61-M10G	IL61-M10S	1000	M10x1.50	1/2	5/8	3/4	3/8	3/16
IL61-M12G	IL61-M12S	2000	M12x1.75	1/2	15/16	3/4	3/8	1/2
IL61-M16G	IL61-M16S	3000	M16x2.00	5/8	1-1/8	3/4	1/2	5/8
IL61-M20G	IL61-M20S	4000	M20x2.50	3/4	1-3/16	3/4	5/8	11/16
IL61-M24G	IL61-M24S	5000	M24x3.00	1	1-1/4	3/4	11/16	3/4
IL63-M6G	IL63-M6S	100	M6x1	1/2	5/8	1 1/4	3/8	3/16
IL63-M8G	IL63-M8S	500	M8x1.25	1/2	5/8	1 1/4	3/8	3/16
IL63-M10G	IL63-M10S	1000	M10x1.50	1/2	5/8	1 1/4	3/8	3/16
IL63-M12G	IL63-M12S	2000	M12x1.75	1/2	15/16	1 1/4	3/8	1/2
IL63-M16G	IL63-M16S	3000	M16x2.00	5/8	1-1/8	1 1/4	1/2	5/8
IL63-M20G	IL63-M20S	4000	M20x2.50	3/4	1-3/16	1 1/4	5/8	11/16
IL63-M24G	IL63-M24S	5000	M24x3.00	1	1-1/4	1 1/4	11/16	3/4

To order with 1/8" black rubber pad, (add "-P").

**METRIC TOGGLE PADS (Delrin Base) - STEEL/STAINLESS STEEL SOCKET**

Steel	Stainless	Load	A	B	C	D	F	G
IL61-M6G-WD	IL61-M6S-WD	100	M6x1	1/2	5/8	3/4	3/8	3/16
IL61-M8G-WD	IL61-M8S-WD	300	M8x1.25	1/2	5/8	3/4	3/8	3/16
IL61-M10G-WD	IL61-M10S-WD	500	M10x1.50	1/2	5/8	3/4	3/8	3/16
IL61-M12G-WD	IL61-M12S-WD	750	M12x1.75	1/2	15/16	3/4	3/8	1/2
IL61-M16G-WD	IL61-M16S-WD	1000	M16x2.00	5/8	1-1/8	3/4	1/2	5/8
IL61-M20G-WD	IL61-M20S-WD	1250	M20x2.50	3/4	1-3/16	3/4	5/8	11/16
IL61-M24G-WD	IL61-M24S-WD	1500	M24x3.00	1	1-1/4	3/4	11/16	3/4
IL63-M6G-WD	IL63-M6S-WD	100	M6x1	1/2	5/8	1 1/4	3/8	3/16
IL63-M8G-WD	IL63-M8S-WD	300	M8x1.25	1/2	5/8	1 1/4	3/8	3/16
IL63-M10G-WD	IL63-M10S-WD	500	M10x1.50	1/2	5/8	1 1/4	3/8	3/16
IL63-M12G-WD	IL63-M12S-WD	750	M12x1.75	1/2	15/16	1 1/4	3/8	1/2
IL63-M16G-WD	IL63-M16S-WD	1000	M16x2.00	5/8	1-1/8	1 1/4	1/2	5/8
IL63-M20G-WD	IL63-M20S-WD	1250	M20x2.50	3/4	1-3/16	1 1/4	5/8	11/16
IL63-M24G-WD	IL63-M24S-WD	1500	M24x3.00	1	1-1/4	1 1/4	11/16	3/4

white base is delrin® plastic.



**METRIC TOGGLE PADS / SWIVEL SET SCREWS**

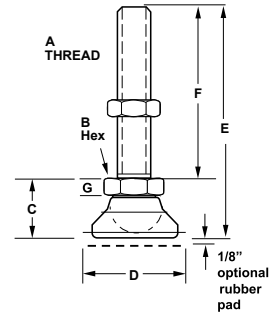
The IEC *Metric Toggle Pads (Swivel Set Screws)* feature an exclusive ball design that minimizes base separation. Ideal for heavy-duty load requirements. Integrated ball and swivel socket provide a low-friction support interface. Perfect for cabinets, instruments, machinery and equipment.

**Features**

- Steel/stainless steel options
- Integrated ball and stud
- Adjustable height
- Base adjusts 15° off centerline
- Standard gold irridite zinc finish
- Black oxide or clear chromate options
- Optional rubber pad (add -P)
- Non-tilt and extended stud length designs (2" - 8")
- Optional Top-A-Just™ shown at right. (add "-BR" to P/N)

**Applications**

- Electronic equipment
- Enclosures
- Work tables
- Display racks
- Fixtures
- Tooling



**LOW PROFILE - METRIC STEEL & STAINLESS STEEL**

Steel	Stainless	Load	A	B	C	D	E	F	G
IL60-M6Gx1	IL60-M6Sx1	100	M6x1	1/2	3/4	3/4	2-3/4	1	3/16
IL60-M8Gx1	IL60-M8Sx1	500	M8x1.25	1/2	3/4	3/4	2-3/4	1	3/16
IL60-M6G	IL60-M6S	100	M6x1	1/2	3/4	3/4	2-3/4	2	3/16
IL60-M8G	IL60-M8S	500	M8x1.25	1/2	3/4	3/4	2-3/4	2	3/16
IL60-M10G	IL60-M10S	1000	M10x1.50	1/2	3/4	3/4	2-3/4	2	3/16
IL60-M12G	IL60-M12S	2000	M12x1.75	1/2	3/4	3/4	2-3/4	2	3/16
IL60-M16G	IL60-M16S	3000	M16x2.00	5/8	3/4	3/4	2-3/4	2	3/16
IL60-M20G	IL60-M20S	4000	M20x2.50	3/4	3/4	3/4	2-3/4	2	3/16
IL60-M24G	IL60-M24S	5000	M24x3.00	1	1	3/4	3	2	1/2
IL60-M8Gx3	IL60-M8Sx3	500	M8x1.25	1/2	3/4	3/4	3-3/4	3	3/16
IL60-M10Gx3	IL60-M10Sx3	1000	M10x1.50	1/2	3/4	3/4	3-3/4	3	3/16
IL60-M12Gx3	IL60-M12Sx3	2000	M12x1.75	1/2	3/4	3/4	3-3/4	3	3/16
IL60-M16Gx3	IL60-M16Sx3	3000	M16x2.00	5/8	3/4	3/4	3-3/4	3	3/16
IL60-M20Gx3	IL60-M20Sx3	4000	M20x2.50	3/4	3/4	3/4	3-3/4	3	3/16
IL60-M24Gx3	IL60-M24Sx3	5000	M24x3.00	1	1	3/4	4	3	1/2
IL60-M8Gx4	IL60-M8Sx4	500	M8x1.25	1/2	3/4	3/4	4-3/4	4	3/16
IL60-M10Gx4	IL60-M10Sx4	1000	M10x1.50	1/2	3/4	3/4	4-3/4	4	3/16
IL60-M12Gx4	IL60-M12Sx4	2000	M12x1.75	1/2	3/4	3/4	4-3/4	4	3/16
IL60-M16Gx4	IL60-M16Sx4	3000	M16x2.00	5/8	3/4	3/4	4-3/4	4	3/16
IL60-M20Gx4	IL60-M20Sx4	4000	M20x2.50	3/4	3/4	3/4	4-3/4	4	3/16
IL60-M24Gx4	IL60-M24Sx4	5000	M24x3.00	1	1	3/4	5	4	1/2
IL60-M10Gx5	IL60-M10Sx5	1000	M10x1.50	1/2	3/4	3/4	5-3/4	5	3/16
IL60-M12Gx5	IL60-M12Sx5	2000	M12x1.75	1/2	3/4	3/4	5-3/4	5	3/16
IL60-M16Gx5	IL60-M16Sx5	3000	M16x2.00	5/8	3/4	3/4	5-3/4	5	3/16
IL60-M20Gx5	IL60-M20Sx5	4000	M20x2.50	3/4	3/4	3/4	5-3/4	5	3/16
IL60-M24Gx5	IL60-M24Sx5	5000	M24x3.00	1	1	3/4	6	5	1/2
IL60-M10Gx6	IL60-M10Sx6	1000	M10x1.50	1/2	3/4	3/4	6-3/4	6	3/16
IL60-M12Gx6	IL60-M12Sx6	2000	M12x1.75	1/2	3/4	3/4	6-3/4	6	3/16
IL60-M16Gx6	IL60-M16Sx6	3000	M16x2.00	5/8	3/4	3/4	6-3/4	6	3/16
IL60-M20Gx6	IL60-M20Sx6	4000	M20x2.50	3/4	3/4	3/4	6-3/4	6	3/16
IL60-M24Gx6	IL60-M24Sx6	5000	M24x3.00	1	1	3/4	7	6	1/2
IL60-M12Gx8	IL60-M12Sx8	2000	M12x1.75	1/2	3/4	3/4	8-3/4	8	3/16
IL60-M16Gx8	IL60-M16Sx8	3000	M16x2.00	5/8	3/4	3/4	8-3/4	8	3/16
IL60-M20Gx8	IL60-M20Sx8	4000	M20x2.50	3/4	3/4	3/4	8-3/4	8	3/16
IL60-M24Gx8	IL60-M24Sx8	5000	M24x3.00	1	1	3/4	9	8	1/2

To order with 1/8" black rubber pad, (add "-P"). To order optional top broached hex, "allen drive," add "-BR".

Top Hex (Allen-drive) Thread & Hex Size							
Thread	M6x1	M8x1.25	M10x1.50	M12x1.75	M16x2.00	M20x2.50	M24x3.00
Hex Size	3mm	4mm	5mm	6mm	8mm	10mm	12mm



**METRIC TOGGLE PADS / SWIVEL SET SCREWS**

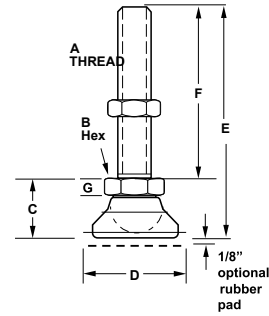
The IEC *Metric Toggle Pads (Swivel Set Screws)* feature an exclusive ball design that minimizes base separation. Ideal for heavy-duty load requirements. Integrated ball and swivel socket provide a low-friction support interface. Perfect for cabinets, instruments, machinery and equipment.

**Features**

- Steel/stainless steel options
- Integrated ball and stud
- Adjustable height
- Base adjusts 15° off centerline
- Standard gold irridite zinc finish
- Black oxide or clear chromate options
- Optional rubber pad (add -P)
- Non-tilt and extended stud length designs (2" - 8")
- Optional Top-A-Just™ shown at right. (add "-BR" to P/N)

**Applications**

- Electronic equipment
- Enclosures
- Work tables
- Display racks
- Fixtures
- Tooling



**LOW PROFILE - METRIC STEEL & STAINLESS STEEL**

Steel	Stainless	Load	A	B	C	D	E	F	G
IL62-M6Gx1	IL62-M6Sx1	100	M6x1	1/2	3/4	1-1/4	2-3/4	1	3/16
IL62-M8Gx1	IL62-M8Sx1	500	M8x1.25	1/2	3/4	1-1/4	2-3/4	1	3/16
IL62-M6G	IL62-M6S	100	M6x1	1/2	3/4	1-1/4	2-3/4	2	3/16
IL62-M8G	IL62-M8S	500	M8x1.25	1/2	3/4	1-1/4	2-3/4	2	3/16
IL62-M10G	IL62-M10S	1000	M10x1.50	1/2	3/4	1-1/4	2-3/4	2	3/16
IL62-M12G	IL62-M12S	2000	M12x1.75	1/2	3/4	1-1/4	2-3/4	2	3/16
IL62-M16G	IL62-M16S	3000	M16x2.00	5/8	3/4	1-1/4	2-3/4	2	3/16
IL62-M20G	IL62-M20S	4000	M20x2.50	3/4	3/4	1-1/4	2-3/4	2	3/16
IL62-M24G	IL62-M24S	5000	M24x3.00	1	1	1-1/4	3	2	1/2
IL62-M8Gx3	IL62-M8Sx3	500	M8x1.25	1/2	3/4	1-1/4	3-3/4	3	3/16
IL62-M10Gx3	IL62-M10Sx3	1000	M10x1.50	1/2	3/4	1-1/4	3-3/4	3	3/16
IL62-M12Gx3	IL62-M12Sx3	2000	M12x1.75	1/2	3/4	1-1/4	3-3/4	3	3/16
IL62-M16Gx3	IL62-M16Sx3	3000	M16x2.00	5/8	3/4	1-1/4	3-3/4	3	3/16
IL62-M20Gx3	IL62-M20Sx3	4000	M20x2.50	3/4	3/4	1-1/4	3-3/4	3	3/16
IL62-M24Gx3	IL62-M24Sx3	5000	M24x3.00	1	1	1-1/4	4	3	1/2
IL62-M8Gx4	IL62-M8Sx4	500	M8x1.25	1/2	3/4	1-1/4	4-3/4	4	3/16
IL62-M10Gx4	IL62-M10Sx4	1000	M10x1.50	1/2	3/4	1-1/4	4-3/4	4	3/16
IL62-M12Gx4	IL62-M12Sx4	2000	M12x1.75	1/2	3/4	1-1/4	4-3/4	4	3/16
IL62-M16Gx4	IL62-M16Sx4	3000	M16x2.00	5/8	3/4	1-1/4	4-3/4	4	3/16
IL62-M20Gx4	IL62-M20Sx4	4000	M20x2.50	3/4	3/4	1-1/4	4-3/4	4	3/16
IL62-M24Gx4	IL62-M24Sx4	5000	M24x3.00	1	1	1-1/4	5	4	1/2
IL62-M10Gx5	IL62-M10Sx5	1000	M10x1.50	1/2	3/4	1-1/4	5-3/4	5	3/16
IL62-M12Gx5	IL62-M12Sx5	2000	M12x1.75	1/2	3/4	1-1/4	5-3/4	5	3/16
IL62-M16Gx5	IL62-M16Sx5	3000	M16x2.00	5/8	3/4	1-1/4	5-3/4	5	3/16
IL62-M20Gx5	IL62-M20Sx5	4000	M20x2.50	3/4	3/4	1-1/4	5-3/4	5	3/16
IL62-M24Gx5	IL62-M24Sx5	5000	M24x3.00	1	1	1-1/4	6	5	1/2
IL62-M10Gx6	IL62-M10Sx6	1000	M10x1.50	1/2	3/4	1-1/4	6-3/4	6	3/16
IL62-M12Gx6	IL62-M12Sx6	2000	M12x1.75	1/2	3/4	1-1/4	6-3/4	6	3/16
IL62-M16Gx6	IL62-M16Sx6	3000	M16x2.00	5/8	3/4	1-1/4	6-3/4	6	3/16
IL62-M20Gx6	IL62-M20Sx6	4000	M20x2.50	3/4	3/4	1-1/4	6-3/4	6	3/16
IL62-M24Gx6	IL62-M24Sx6	5000	M24x3.00	1	1	1-1/4	7	6	1/2
IL62-M12Gx8	IL62-M12Sx8	2000	M12x1.75	1/2	3/4	1-1/4	8-3/4	8	3/16
IL62-M16Gx8	IL62-M16Sx8	3000	M16x2.00	5/8	3/4	1-1/4	8-3/4	8	3/16
IL62-M20Gx8	IL62-M20Sx8	4000	M20x2.50	3/4	3/4	1-1/4	8-3/4	8	3/16
IL62-M24Gx8	IL62-M24Sx8	5000	M24x3.00	1	1	1-1/4	9	8	1/2

To order with 1/8" black rubber pad, (add "-P"). To order optional top broached hex, "allen drive," add "-BR".

Top Hex (Allen-drive) Thread & Hex Size							
Thread	M6x1	M8x1.25	M10x1.50	M12x1.75	M16x2.00	M20x2.50	M24x3.00
Hex Size	3mm	4mm	5mm	6mm	8mm	10mm	12mm



**HEAVY DUTY METRIC  
 TOGGLE PADS - STUD  
 DELRIN BASE**

**TOGGLE PADS - METRIC STUD (SWIVEL SET SCREWS)**

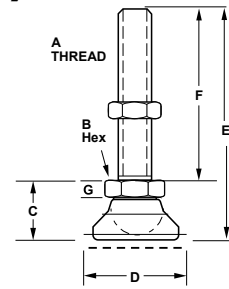
The IEC *Metric Delrin® Base Stud Toggle Pad* features an exclusive ball design that minimizes base separation. Ideal for heavy-duty load requirements. The threaded female socket allows use of your own stud or bolt. Integrated ball and swivel socket provide a low-friction support interface. Standard steel finish is corrosion resistant zinc-plated gold irridite. Other finishes available upon request.

**Features**

- Steel/stainless steel options
- Integrated ball and stud
- Adjustable height
- Base adjusts 15° off centerline
- Standard gold irridite zinc finish
- Black oxide or clear chromate options
- Black delrin available as custom
- Non-tilt and extended stud length designs (2" - 8")
- Optional Top-A-Just™ shown at right. (add "-BR" to P/N)

**Applications**

- Electronic equipment
- Enclosures
- Conveyors
- Machinery
- Fixtures
- Tooling



white base is delrin® plastic.

**LOW PROFILE - METRIC (DELRIN BASE) STEEL & STAINLESS STEEL**

Steel	Stainless	Load	A	B	C	D	E	F	G
IL60-M6Gx1-WD	IL60-M6Sx1-WD	100	M6x1	1/2	3/4	3/4	2-3/4	1	3/16
IL60-M8Gx1-WD	IL60-M8Sx1-WD	300	M8x1.25	1/2	3/4	3/4	2-3/4	1	3/16
IL60-M6G-WD	IL60-M6S-WD	100	M6x1	1/2	3/4	3/4	2-3/4	2	3/16
IL60-M8G-WD	IL60-M8S-WD	300	M8x1.25	1/2	3/4	3/4	2-3/4	2	3/16
IL60-M10G-WD	IL60-M10S-WD	500	M10x1.50	1/2	3/4	3/4	2-3/4	2	3/16
IL60-M12G-WD	IL60-M12S-WD	750	M12x1.75	1/2	3/4	3/4	2-3/4	2	3/16
IL60-M16G-WD	IL60-M16S-WD	1000	M16x2.00	5/8	3/4	3/4	2-3/4	2	3/16
IL60-M20G-WD	IL60-M20S-WD	1250	M20x2.50	3/4	3/4	3/4	2-3/4	2	3/16
IL60-M24G-WD	IL60-M24S-WD	1500	M24x3.00	1	1	3/4	3	2	1/2
IL60-M8Gx3-WD	IL60-M8Sx3-WD	300	M8x1.25	1/2	3/4	3/4	3-3/4	3	3/16
IL60-M10Gx3-WD	IL60-M10Sx3-WD	500	M10x1.50	1/2	3/4	3/4	3-3/4	3	3/16
IL60-M12Gx3-WD	IL60-M12Sx3-WD	750	M12x1.75	1/2	3/4	3/4	3-3/4	3	3/16
IL60-M16Gx3-WD	IL60-M16Sx3-WD	1000	M16x2.00	5/8	3/4	3/4	3-3/4	3	3/16
IL60-M20Gx3-WD	IL60-M20Sx3-WD	1250	M20x2.50	3/4	3/4	3/4	3-3/4	3	3/16
IL60-M24Gx3-WD	IL60-M24Sx3-WD	1500	M24x3.00	1	1	3/4	4	3	1/2
IL60-M8Gx4-WD	IL60-M8Sx4-WD	300	M8x1.25	1/2	3/4	3/4	4-3/4	4	3/16
IL60-M10Gx4-WD	IL60-M10Sx4-WD	500	M10x1.50	1/2	3/4	3/4	4-3/4	4	3/16
IL60-M12Gx4-WD	IL60-M12Sx4-WD	750	M12x1.75	1/2	3/4	3/4	4-3/4	4	3/16
IL60-M16Gx4-WD	IL60-M16Sx4-WD	1000	M16x2.00	5/8	3/4	3/4	4-3/4	4	3/16
IL60-M20Gx4-WD	IL60-M20Sx4-WD	1250	M20x2.50	3/4	3/4	3/4	4-3/4	4	3/16
IL60-M24Gx4-WD	IL60-M24Sx4-WD	1500	M24x3.00	1	1	3/4	5	4	1/2
IL60-M10Gx5-WD	IL60-M10Sx5-WD	500	M10x1.50	1/2	3/4	3/4	5-3/4	5	3/16
IL60-M12Gx5-WD	IL60-M12Sx5-WD	750	M12x1.75	1/2	3/4	3/4	5-3/4	5	3/16
IL60-M16Gx5-WD	IL60-M16Sx5-WD	1000	M16x2.00	5/8	3/4	3/4	5-3/4	5	3/16
IL60-M20Gx5-WD	IL60-M20Sx5-WD	1250	M20x2.50	3/4	3/4	3/4	5-3/4	5	3/16
IL60-M24Gx5-WD	IL60-M24Sx5-WD	1500	M24x3.00	1	1	3/4	6	5	1/2
IL60-M10Gx6-WD	IL60-M10Sx6-WD	500	M10x1.50	1/2	3/4	3/4	6-3/4	6	3/16
IL60-M12Gx6-WD	IL60-M12Sx6-WD	750	M12x1.75	1/2	3/4	3/4	6-3/4	6	3/16
IL60-M16Gx6-WD	IL60-M16Sx6-WD	1000	M16x2.00	5/8	3/4	3/4	6-3/4	6	3/16
IL60-M20Gx6-WD	IL60-M20Sx6-WD	1250	M20x2.50	3/4	3/4	3/4	6-3/4	6	3/16
IL60-M24Gx6-WD	IL60-M24Sx6-WD	1500	M24x3.00	1	1	3/4	7	6	1/2
IL60-M12Gx8-WD	IL60-M12Sx8-WD	750	M12x1.75	1/2	3/4	3/4	8-3/4	8	3/16
IL60-M16Gx8-WD	IL60-M16Sx8-WD	1000	M16x2.00	5/8	3/4	3/4	8-3/4	8	3/16
IL60-M20Gx8-WD	IL60-M20Sx8-WD	1250	M20x2.50	3/4	3/4	3/4	8-3/4	8	3/16
IL60-M24Gx8-WD	IL60-M24Sx8-WD	1500	M24x3.00	1	1	3/4	9	8	1/2

To order optional top broached hex, "allen drive," add "-BR".

Top Hex (Allen-drive) Thread & Hex Size							
Thread	M6x1	M8x1.25	M10x1.50	M12x1.75	M16x2.00	M20x2.50	M24x3.00
Hex Size	3mm	4mm	5mm	6mm	8mm	10mm	12mm



**TOGGLE PADS - METRIC STUD (SWIVEL SET SCREWS)**

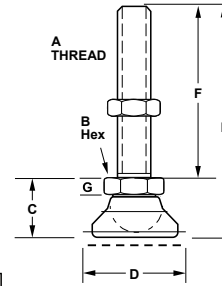
The IEC *Metric Delrin® Base Stud Toggle Pad* features an exclusive ball design that minimizes base separation. Ideal for heavy-duty load requirements. The threaded female socket allows use of your own stud or bolt. Integrated ball and swivel socket provide a low-friction support interface. Standard steel finish is corrosion resistant zinc-plated gold irridite. Other finishes available upon request.

**Features**

- Steel/stainless steel options
- Integrated ball and stud
- Adjustable height
- Base adjusts 15° off centerline
- Standard gold irridite zinc finish
- Black oxide or clear chromate options
- Black delrin available as custom
- Non-tilt and extended stud length designs (2" - 8")
- Optional Top-A-Just™ shown at right. (add "-BR" to P/N)

**Applications**

- Electronic equipment
- Enclosures
- Conveyors
- Machinery
- Fixtures
- Tooling



white base is delrin® plastic.

**LOW PROFILE - METRIC STEEL & STAINLESS STEEL**

Steel	Stainless	Load	A	B	C	D	E	F	G
IL62-M6Gx1-WD	IL62-M6Sx1-WD	100	M6x1	1/2	3/4	1-1/4	2-3/4	1	3/16
IL62-M8Gx1-WD	IL62-M8Sx1-WD	300	M8x1.25	1/2	3/4	1-1/4	2-3/4	1	3/16
IL62-M6G-WD	IL62-M6S-WD	100	M6x1	1/2	3/4	1-1/4	2-3/4	2	3/16
IL62-M8G-WD	IL62-M8S-WD	300	M8x1.25	1/2	3/4	1-1/4	2-3/4	2	3/16
IL62-M10G-WD	IL62-M10S-WD	500	M10x1.50	1/2	3/4	1-1/4	2-3/4	2	3/16
IL62-M12G-WD	IL62-M12S-WD	750	M12x1.75	1/2	3/4	1-1/4	2-3/4	2	3/16
IL62-M16G-WD	IL62-M16S-WD	1000	M16x2.00	5/8	3/4	1-1/4	2-3/4	2	3/16
IL62-M20G-WD	IL62-M20S-WD	1250	M20x2.50	3/4	3/4	1-1/4	2-3/4	2	3/16
IL62-M24G-WD	IL62-M24S-WD	1500	M24x3.00	1	1	1-1/4	3	2	1/2
IL62-M8Gx3-WD	IL62-M8Sx3-WD	300	M8x1.25	1/2	3/4	1-1/4	3-3/4	3	3/16
IL62-M10Gx3-WD	IL62-M10Sx3-WD	500	M10x1.50	1/2	3/4	1-1/4	3-3/4	3	3/16
IL62-M12Gx3-WD	IL62-M12Sx3-WD	750	M12x1.75	1/2	3/4	1-1/4	3-3/4	3	3/16
IL62-M16Gx3-WD	IL62-M16Sx3-WD	1000	M16x2.00	5/8	3/4	1-1/4	3-3/4	3	3/16
IL62-M20Gx3-WD	IL62-M20Sx3-WD	1250	M20x2.50	3/4	3/4	1-1/4	3-3/4	3	3/16
IL62-M24Gx3-WD	IL62-M24Sx3-WD	1500	M24x3.00	1	1	1-1/4	4	3	1/2
IL62-M8Gx4-WD	IL62-M8Sx4-WD	300	M8x1.25	1/2	3/4	1-1/4	4-3/4	4	3/16
IL62-M10Gx4-WD	IL62-M10Sx4-WD	500	M10x1.50	1/2	3/4	1-1/4	4-3/4	4	3/16
IL62-M12Gx4-WD	IL62-M12Sx4-WD	750	M12x1.75	1/2	3/4	1-1/4	4-3/4	4	3/16
IL62-M16Gx4-WD	IL62-M16Sx4-WD	1000	M16x2.00	5/8	3/4	1-1/4	4-3/4	4	3/16
IL62-M20Gx4-WD	IL62-M20Sx4-WD	1250	M20x2.50	3/4	3/4	1-1/4	4-3/4	4	3/16
IL62-M24Gx4-WD	IL62-M24Sx4-WD	1500	M24x3.00	1	1	1-1/4	5	4	1/2
IL62-M10Gx5-WD	IL62-M10Sx5-WD	500	M10x1.50	1/2	3/4	1-1/4	5-3/4	5	3/16
IL62-M12Gx5-WD	IL62-M12Sx5-WD	750	M12x1.75	1/2	3/4	1-1/4	5-3/4	5	3/16
IL62-M16Gx5-WD	IL62-M16Sx5-WD	1000	M16x2.00	5/8	3/4	1-1/4	5-3/4	5	3/16
IL62-M20Gx5-WD	IL62-M20Sx5-WD	1250	M20x2.50	3/4	3/4	1-1/4	5-3/4	5	3/16
IL62-M24Gx5-WD	IL62-M24Sx5-WD	1500	M24x3.00	1	1	1-1/4	6	5	1/2
IL62-M10Gx6-WD	IL62-M10Sx6-WD	500	M10x1.50	1/2	3/4	1-1/4	6-3/4	6	3/16
IL62-M12Gx6-WD	IL62-M12Sx6-WD	750	M12x1.75	1/2	3/4	1-1/4	6-3/4	6	3/16
IL62-M16Gx6-WD	IL62-M16Sx6-WD	1000	M16x2.00	5/8	3/4	1-1/4	6-3/4	6	3/16
IL62-M20Gx6-WD	IL62-M20Sx6-WD	1250	M20x2.50	3/4	3/4	1-1/4	6-3/4	6	3/16
IL62-M24Gx6-WD	IL62-M24Sx6-WD	1500	M24x3.00	1	1	1-1/4	7	6	1/2
IL62-M12Gx8-WD	IL62-M12Sx8-WD	750	M12x1.75	1/2	3/4	1-1/4	8-3/4	8	3/16
IL62-M16Gx8-WD	IL62-M16Sx8-WD	1000	M16x2.00	5/8	3/4	1-1/4	8-3/4	8	3/16
IL62-M20Gx8-WD	IL62-M20Sx8-WD	1250	M20x2.50	3/4	3/4	1-1/4	8-3/4	8	3/16
IL62-M24Gx8-WD	IL62-M24Sx8-WD	1500	M24x3.00	1	1	1-1/4	9	8	1/2

To order optional top broached hex, "allen drive," add "-BR".

Top Hex (Allen-drive) Thread & Hex Size							
Thread	M6x1	M8x1.25	M10x1.50	M12x1.75	M16x2.00	M20x2.50	M24x3.00
Hex Size	3mm	4mm	5mm	6mm	8mm	10mm	12mm